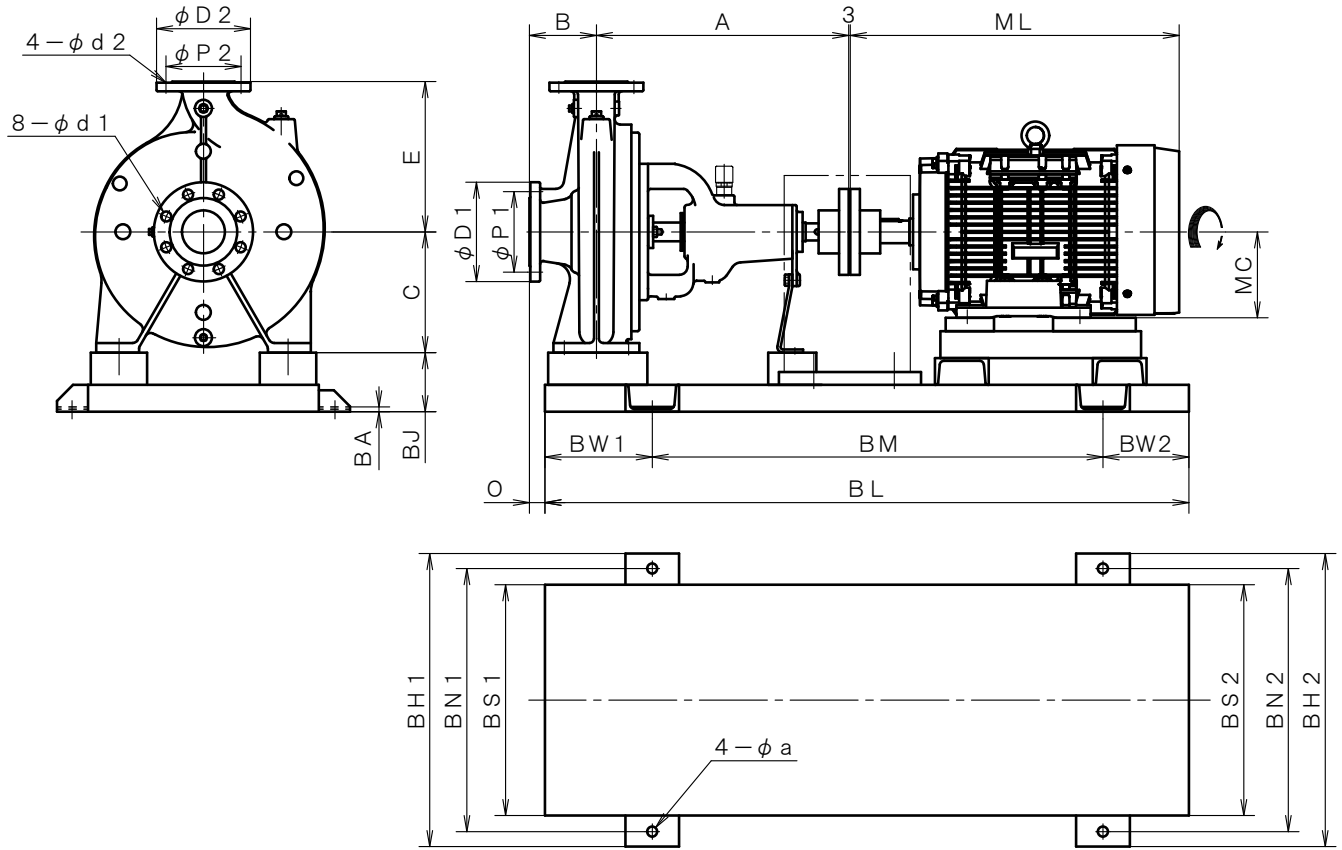


| | | | | | | |
|---------------------|----------------|--|------------|------------|------------|---------|
| 4極 POLE | | 御注文主 CUSTOMER | | | 台数 QUA. | |
| □ ZJF - 86F | | 外形寸法図 DIMENSION OF CENTRIFUGAL PUMP | | | | |
| □ ZJFO-86F | | | | | | |
| 用途 USED FOR | | 機番 ITEM NO. | | 製番 MFG NO. | | |
| 吐出し量 CAPACITY | 全揚程 TOTAL HEAD | 同期速度 SPEED | 出力 OUT PUT | 電動機 MOTOR | メーカー MAKER | 型式 TYPE |
| m ³ /min | m | min ⁻¹ | kW | kW | P | V Hz |



※ ニシガキ標準モーターでの寸法です。(全閉外扇屋内型)
MOTORS ARE IN ACCORDANCE WITH NISHIGAKI STANDARDS.
(TOTALLY ENCLOSED FAN-COOLED)

単位 : mm
UNIT : mm

| フランジ FLANGE (JIS10K 並RF) | | | | | | | |
|------------------------------|-----|-----|----|-------------------------------|-----|-----|----|
| 吸込側口径 SUCTION BORE φ80 | D1 | P1 | d1 | 吐出側口径 DELIVERY BORE φ65 | D2 | P2 | d2 |
| | 185 | 150 | 19 | | 175 | 140 | 19 |

| 備考 REMARKS |
|------------|
| |

| 型式 TYPE | 出力 OUT PUT kW | ポンプ PUMP | | | | | 電動機 MOTOR | | 共通ベッド COMMON BASE | | | | | | | | | | | | |
|------------|---------------------|-------------|-----|-----|-----|----|--------------|-----|----------------------|-----|-----|-----|-----|-----|-----|-----|-----|-----|-----|----|----|
| | | A | B | C | E | O | ML | MC | BL | BM | BW1 | BW2 | BH1 | BH2 | BN1 | BN2 | BS1 | BS2 | BJ | BA | a |
| ZJF -86F | 11 | 470 | 125 | 225 | 280 | 29 | 613 | 160 | 1200 | 840 | 200 | 160 | 546 | 546 | 490 | 490 | 430 | 430 | 110 | 9 | 19 |
| ZJFO-86F | 15 | 470 | 125 | 225 | 280 | 29 | 613 | 160 | 1200 | 840 | 200 | 160 | 546 | 546 | 490 | 490 | 430 | 430 | 110 | 9 | 19 |
| | | | | | | | | | | | | | | | | | | | | | |
| | | | | | | | | | | | | | | | | | | | | | |
| | | | | | | | | | | | | | | | | | | | | | |
| | | | | | | | | | | | | | | | | | | | | | |
| | | | | | | | | | | | | | | | | | | | | | |
| | | | | | | | | | | | | | | | | | | | | | |
| | | | | | | | | | | | | | | | | | | | | | |
| | | | | | | | | | | | | | | | | | | | | | |
| | | | | | | | | | | | | | | | | | | | | | |
| | | | | | | | | | | | | | | | | | | | | | |
| | | | | | | | | | | | | | | | | | | | | | |
| | | | | | | | | | | | | | | | | | | | | | |
| | | | | | | | | | | | | | | | | | | | | | |
| | | | | | | | | | | | | | | | | | | | | | |
| | | | | | | | | | | | | | | | | | | | | | |
| | | | | | | | | | | | | | | | | | | | | | |
| | | | | | | | | | | | | | | | | | | | | | |
| | | | | | | | | | | | | | | | | | | | | | |
| | | | | | | | | | | | | | | | | | | | | | |
| | | | | | | | | | | | | | | | | | | | | | |
| | | | | | | | | | | | | | | | | | | | | | |
| | | | | | | | | | | | | | | | | | | | | | |
| | | | | | | | | | | | | | | | | | | | | | |
| | | | | | | | | | | | | | | | | | | | | | |
| | | | | | | | | | | | | | | | | | | | | | |
| | | | | | | | | | | | | | | | | | | | | | |
| | | | | | | | | | | | | | | | | | | | | | |
| | | | | | | | | | | | | | | | | | | | | | |
| | | | | | | | | | | | | | | | | | | | | | |
| | | | | | | | | | | | | | | | | | | | | | |
| | | | | | | | | | | | | | | | | | | | | | |
| | | | | | | | | | | | | | | | | | | | | | |
| | | | | | | | | | | | | | | | | | | | | | |
| | | | | | | | | | | | | | | | | | | | | | |
| | | | | | | | | | | | | | | | | | | | | | |
| | | | | | | | | | | | | | | | | | | | | | |
| | | | | | | | | | | | | | | | | | | | | | |
| | | | | | | | | | | | | | | | | | | | | | |
| | | | | | | | | | | | | | | | | | | | | | |
| | | | | | | | | | | | | | | | | | | | | | |
| | | | | | | | | | | | | | | | | | | | | | |
| | | | | | | | | | | | | | | | | | | | | | |
| | | | | | | | | | | | | | | | | | | | | | |
| | | | | | | | | | | | | | | | | | | | | | |
| | | | | | | | | | | | | | | | | | | | | | |
| | | | | | | | | | | | | | | | | | | | | | |
| | | | | | | | | | | | | | | | | | | | | | |
| | | | | | | | | | | | | | | | | | | | | | |
| | | | | | | | | | | | | | | | | | | | | | |
| | | | | | | | | | | | | | | | | | | | | | |
| | | | | | | | | | | | | | | | | | | | | | |
| | | | | | | | | | | | | | | | | | | | | | |
| | | | | | | | | | | | | | | | | | | | | | |
| | | | | | | | | | | | | | | | | | | | | | |
| | | | | | | | | | | | | | | | | | | | | | |
| | | | | | | | | | | | | | | | | | | | | | |
| | | | | | | | | | | | | | | | | | | | | | |
| | | | | | | | | | | | | | | | | | | | | | |
| | | | | | | | | | | | | | | | | | | | | | |
| | | | | | | | | | | | | | | | | | | | | | |
| | | | | | | | | | | | | | | | | | | | | | |
| | | | | | | | | | | | | | | | | | | | | | |
| | | | | | | | | | | | | | | | | | | | | | |
| | | | | | | | | | | | | | | | | | | | | | |
| | | | | | | | | | | | | | | | | | | | | | |
| | | | | | | | | | | | | | | | | | | | | | |
| | | | | | | | | | | | | | | | | | | | | | |