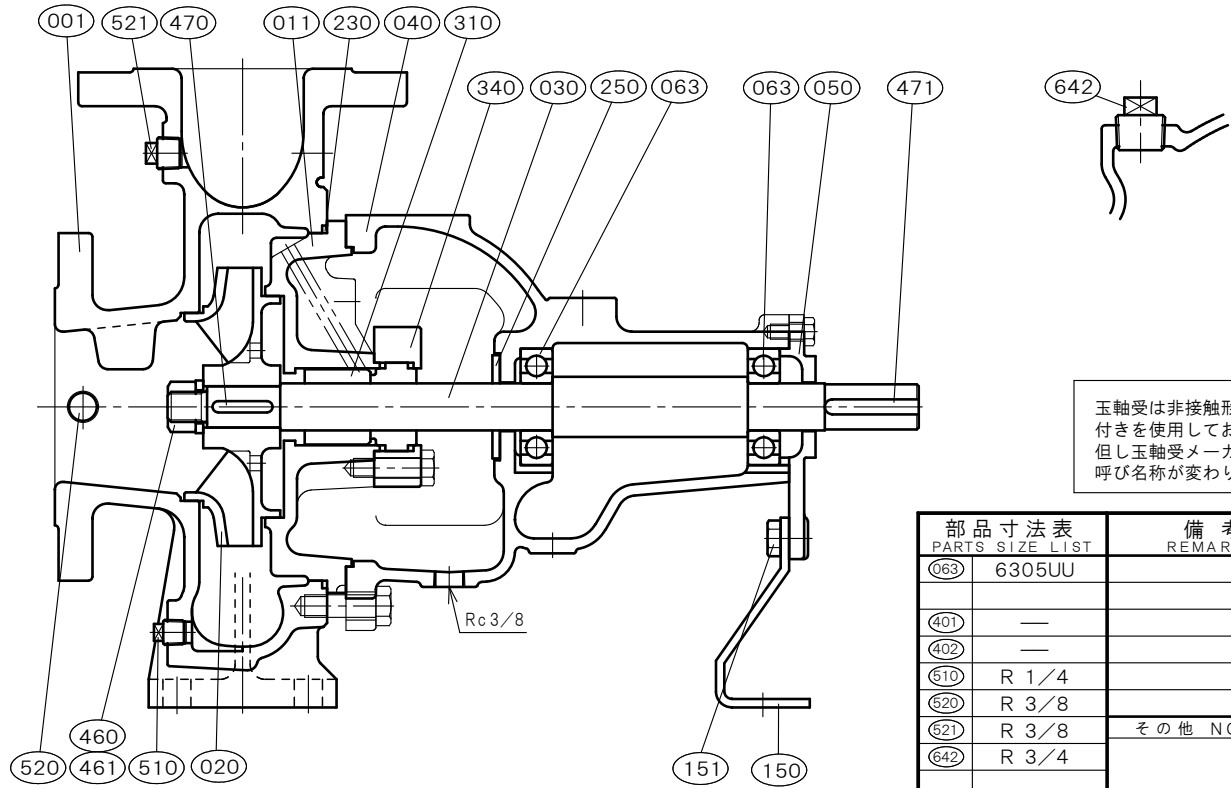


| | | | | | | |
|---------------------|----------------------------------|--------------------------------------|---------------------|------------------|---------------------------------|-------------|
| φ80×φ65 □ZJS-86C | [メカニカルシール式] | | 御注文主 CUSTOMER | | | |
| | 構造断面図 | | 殿 | | | |
| | CONSTRUCTION OF CENTRIFUGAL PUMP | | 用途 USED FOR | | | |
| 機番 ITEM NO. | 製番 MFG. NO. | 吐出し量 CAPACITY m ³ /min | 全揚程 TOTAL HEAD m | 出力 OUT PUT kW | 同期速度 SPEED min ⁻¹ | 台数 QUANTITY |



| 部品寸法表 PARTS SIZE LIST | | 備考 REMARKS |
|--------------------------|--------|---------------|
| 063 | 6305UU | |
| 401 | — | |
| 402 | — | |
| 610 | R 1/4 | |
| 620 | R 3/8 | |
| 521 | R 3/8 | その他 NOTE |
| 642 | R 3/4 | |

| NO. | 部 品 名 NAME OF PART | 材 質 MATERIAL | | 個数 QUAN. | NO. | 部 品 名 NAME OF PART | 材 質 MATERIAL | | 個数 QUAN. |
|-----|-----------------------|---------------------|----------------|-------------|----------------------------|-----------------------|-----------------|---------------|-------------|
| | | SCS13 | SCS14 | | | | SCS13 | SCS14 | |
| 001 | ケーシング | CASING | SCS13 SCS14 | 1 | | | | | |
| 011 | ケーシングカバー | CASING COVER | SCS13 SCS14 | 1 | | | | | |
| 020 | 羽根車 | IMPELLER | SCS13 SCS14 | 1 | | | | | |
| 030 | 主軸 | SHAFT | SUS304 SUS316 | 1 | | | | | |
| 040 | 軸受 | METAL CASING | FC200 FC200 | 1 | | | | | |
| 050 | 軸受カバー | BEARING COVER | FC200 FC200 | 1 | | | | | |
| 063 | 玉軸受 | BEARING | SUJ2 SUJ2 | 2 | | | | | |
| 150 | 軸受支え | BEARING SUPPORT | SS400 SS400 | 1 | | | | | |
| 151 | 軸受支えボルト | BOLT | SUS304 SUS304 | 2 | | | | | |
| 230 | カバーパッキン | COVER PACKING | FKM FKM | 1 | | | | | |
| 250 | 水切りつば | DEFLECTOR | C R C R | 1 | | | | | |
| 310 | メカニカルシール | MECHANICAL SEAL | SiCvsC SiCvsC | 1set | | | | | |
| 340 | メカカバー | MECHA COVER | SUS304 SUS316 | 1 | | | | | |
| 460 | 羽根車ナット | IMPELLER NUT | SUS304 SUS316 | 1 | | | | | |
| 461 | 回り止め | LOCK WASHER | SUS304 SUS316L | 1 | 標準付属品 STANDARD ACCESSORIES | | | | |
| 470 | 羽根車キー | IMPELLER KEY | SUS316 SUS316 | 1 | (600) | 共通ベッド | COMMON BASE | FC200 FC200 | 1 |
| 471 | 軸継手キー | COUPLING KEY | S45C S45C | 1 | (610) | 軸継手 | COUPLING | FC200 FC200 | 1set |
| 510 | ドレン抜きプラグ | DRAIN PLUG | SUS304 SUS316 | 1 | (620) | 軸継手ガード | COUPLING GUARD | SUS430orSS400 | 1 |
| 520 | 真空計プラグ | VACUUM GAUGE PLUG | SUS304 SUS316 | 1 | (650) | 基礎ボルト | FOUNDATION BOLT | SS400 SS400 | 1set |
| 521 | 圧力計プラグ | PRESSURE GAUGE PLUG | SUS304 SUS316 | 1 | | | | | |
| 642 | 呼び水プラグ | PRIMING PLUG | SUS304 SUS316 | 1 | | | | | |