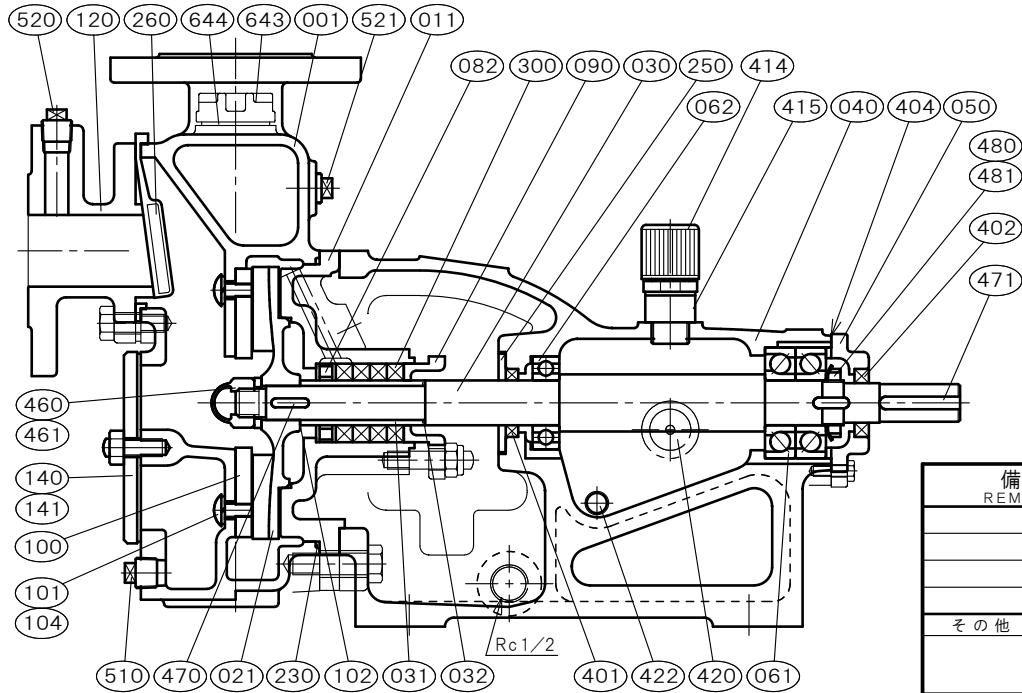


|                     |             |                                                              |                     |                  |                                 |
|---------------------|-------------|--------------------------------------------------------------|---------------------|------------------|---------------------------------|
| φ40×φ40<br>□ZUPS-40 |             | [グランドパッキン式]<br>構造断面図<br>CONSTRUCTION OF<br>SELF PRIMING PUMP |                     | 御注文主 CUSTOMER    |                                 |
|                     |             |                                                              |                     | 殿                |                                 |
|                     |             |                                                              |                     | 用途 USED FOR      |                                 |
| 機番 ITEM NO.         | 製番 MFG. NO. | 吐出し量 CAPACITY<br>m <sup>3</sup> /min                         | 全揚程 TOTAL HEAD<br>m | 出力 OUT PUT<br>kW | 同期速度 SPEED<br>min <sup>-1</sup> |
|                     |             |                                                              |                     |                  | 台数 QUANTITY                     |



|               |                                                                                                                                                                                                                                                                                                                                                                          |     |         |     |      |     |               |     |       |     |       |     |       |     |       |     |       |     |
|---------------|--------------------------------------------------------------------------------------------------------------------------------------------------------------------------------------------------------------------------------------------------------------------------------------------------------------------------------------------------------------------------|-----|---------|-----|------|-----|---------------|-----|-------|-----|-------|-----|-------|-----|-------|-----|-------|-----|
| 備考<br>REMARKS | 部品寸法表<br>PARTS SIZE LIST                                                                                                                                                                                                                                                                                                                                                 |     |         |     |      |     |               |     |       |     |       |     |       |     |       |     |       |     |
|               | <table border="1"> <tr><td>061</td><td>7305BDB</td></tr> <tr><td>062</td><td>6205</td></tr> <tr><td>300</td><td>□ 9.5-φ44-φ25</td></tr> <tr><td>401</td><td>25387</td></tr> <tr><td>402</td><td>22388</td></tr> <tr><td>510</td><td>R 3/8</td></tr> <tr><td>520</td><td>R 3/8</td></tr> <tr><td>521</td><td>R 3/8</td></tr> <tr><td>643</td><td>G 3/4</td></tr> </table> | 061 | 7305BDB | 062 | 6205 | 300 | □ 9.5-φ44-φ25 | 401 | 25387 | 402 | 22388 | 510 | R 3/8 | 520 | R 3/8 | 521 | R 3/8 | 643 |
| 061           | 7305BDB                                                                                                                                                                                                                                                                                                                                                                  |     |         |     |      |     |               |     |       |     |       |     |       |     |       |     |       |     |
| 062           | 6205                                                                                                                                                                                                                                                                                                                                                                     |     |         |     |      |     |               |     |       |     |       |     |       |     |       |     |       |     |
| 300           | □ 9.5-φ44-φ25                                                                                                                                                                                                                                                                                                                                                            |     |         |     |      |     |               |     |       |     |       |     |       |     |       |     |       |     |
| 401           | 25387                                                                                                                                                                                                                                                                                                                                                                    |     |         |     |      |     |               |     |       |     |       |     |       |     |       |     |       |     |
| 402           | 22388                                                                                                                                                                                                                                                                                                                                                                    |     |         |     |      |     |               |     |       |     |       |     |       |     |       |     |       |     |
| 510           | R 3/8                                                                                                                                                                                                                                                                                                                                                                    |     |         |     |      |     |               |     |       |     |       |     |       |     |       |     |       |     |
| 520           | R 3/8                                                                                                                                                                                                                                                                                                                                                                    |     |         |     |      |     |               |     |       |     |       |     |       |     |       |     |       |     |
| 521           | R 3/8                                                                                                                                                                                                                                                                                                                                                                    |     |         |     |      |     |               |     |       |     |       |     |       |     |       |     |       |     |
| 643           | G 3/4                                                                                                                                                                                                                                                                                                                                                                    |     |         |     |      |     |               |     |       |     |       |     |       |     |       |     |       |     |
| その他 NOTE      |                                                                                                                                                                                                                                                                                                                                                                          |     |         |     |      |     |               |     |       |     |       |     |       |     |       |     |       |     |

| NO. | 部 品 名<br>NAME OF PART     | 材 質<br>MATERIAL |          | 個数<br>QUAN. | NO.                        | 部 品 名<br>NAME OF PART      | 材 質<br>MATERIAL |               | 個数<br>QUAN. |
|-----|---------------------------|-----------------|----------|-------------|----------------------------|----------------------------|-----------------|---------------|-------------|
|     |                           | SCS13           | SCS14    |             |                            |                            | SCS13           | SCS14         |             |
| 001 | ケーシング CASING              | SCS13           | SCS14    | 1           | 404                        | オイルパッキン GASKET             | NBR             | NBR           | 1           |
| 011 | ケーシングカバー CASING COVER     | SCS13           | SCS14    | 1           | 414                        | オイルキャップ OIL CAP            | RESIN           | RESIN         | 1set        |
| 021 | 羽根車 IMPELLER              | SCS13           | SCS14    | 1           | 415                        | 持出ソケット PIPE SOCKET         | COPPER ALLOYS   | COPPER ALLOYS | 1           |
| 030 | 主軸 SHAFT                  | SUS304          | SUS316   | 1           | 420                        | オイルレベルゲージ OIL GAUGE        | RESIN           | RESIN         | 1           |
| 031 | スリーブ SHAFT SLEEVE         | SUS304          | SUS316   | 1           | 422                        | オイルドレンプラグ OIL DRAIN PLUG   | SWCH            | SWCH          | 1           |
| 032 | スリーブパッキン SLEEVE PACKING   | PTFE            | PTFE     | 1           | 460                        | 羽根車ナット IMPELLER NUT        | SUS304          | SUS316L       | 1           |
| 040 | 軸受 METAL CASING           | FC200           | FC200    | 1           | 461                        | 回り止め LOCK WASHER           | SUS304          | SUS316L       | 1           |
| 050 | 軸受カバー BEARING COVER       | FC200           | FC200    | 1           | 470                        | 羽根車キー IMPELLER KEY         | SUS316          | SUS316        | 1           |
| 061 | 玉軸受 BALL BEARING          | SUJ2            | SUJ2     | 1set        | 471                        | 軸継手キー COUPLING KEY         | S45C            | S45C          | 1           |
| 062 | 玉軸受 BALL BEARING          | SUJ2            | SUJ2     | 1           | 480                        | 玉軸受ナット BEARING NUT         | S35C            | S35C          | 1           |
| 082 | 封水リング SEAL RING           | SUS304          | SUS316   | 1           | 481                        | 玉軸受座金 LOCK WASHER          | SPCC            | SPCC          | 1           |
| 090 | パッキン押さえ GLAND             | SCS14           | SCS14    | 1           | 510                        | ドレン抜きプラグ DRAIN PLUG        | SUS304          | SUS316        | 1           |
| 100 | マサツ板 SIDE PLATE           | SUS304          | SUS316   | 1           | 520                        | 真空計プラグ VACUUM GAUGE PLUG   | SUS304          | SUS316        | 1           |
| 101 | マサツ板取付ボルト PLATE BOLT      | SUS304          | SUS316L  | 2           | 521                        | 圧力計プラグ PRESSURE GAUGE PLUG | SUS304          | SUS316        | 1           |
| 102 | 調整リング ADJUST RING         | SUS316          | SUS316   | n           | 643                        | 呼び水栓 PRIMING PLUG          | SCS14           | SCS14         | 1           |
| 104 | マサツ板取付ワッシャー SPRING WASHER | SUS304          | SUS316L  | 2           | 644                        | 呼び水栓パッキン PRIMING PACKING   | C R             | C R           | 1           |
| 120 | 吸込フランジ SUCTION FLANGE     | SCS13           | SCS14    | 1           | 標準付属品 STANDARD ACCESSORIES |                            |                 |               |             |
| 140 | マンホールカバー MANHOLE COVER    | SUS304          | SUS316   | 1           | (600)                      | 共通ベッド COMMON BASE          | FC200           | FC200         | 1           |
| 141 | マンホールパッキン MANHOLE PACKING | C R             | C R      | 1           | (610)                      | 軸継手 COUPLING               | FC200           | FC200         | 1set        |
| 230 | カバーパッキン COVER PACKING     | FKM             | FKM      | 1           | (620)                      | 軸継手ガード COUPLING GUARD      | SUS430orSS400   |               | 1           |
| 250 | 水切りつば DEFLECTOR           | C R             | C R      | 1           | (650)                      | 基礎ボルト FOUNDATION BOLT      | SS400           | SS400         | 1set        |
| 260 | 吸水弁 SUCTION VALVE         | C R (SUS316)    |          | 1           |                            |                            |                 |               |             |
| 300 | グランドパッキン GLAND PACKING    | PTFE-CON        | PTFE-CON | 4           |                            |                            |                 |               |             |
| 401 | オイルシール OIL SEAL           | FKM             | FKM      | 1           |                            |                            |                 |               |             |
| 402 | オイルシール OIL SEAL           | FKM             | FKM      | 1           |                            |                            |                 |               |             |

|                                              |         |         |                |
|----------------------------------------------|---------|---------|----------------|
| 西垣ポンプ製造株式会社<br>NISHIGAKI PUMP MFG. CO., LTD. | 日付 DATE | 作成 DRW. | 図番 DRAWING NO. |
|                                              | ' 25. 4 | R Y     | YB1-KI1240CS   |