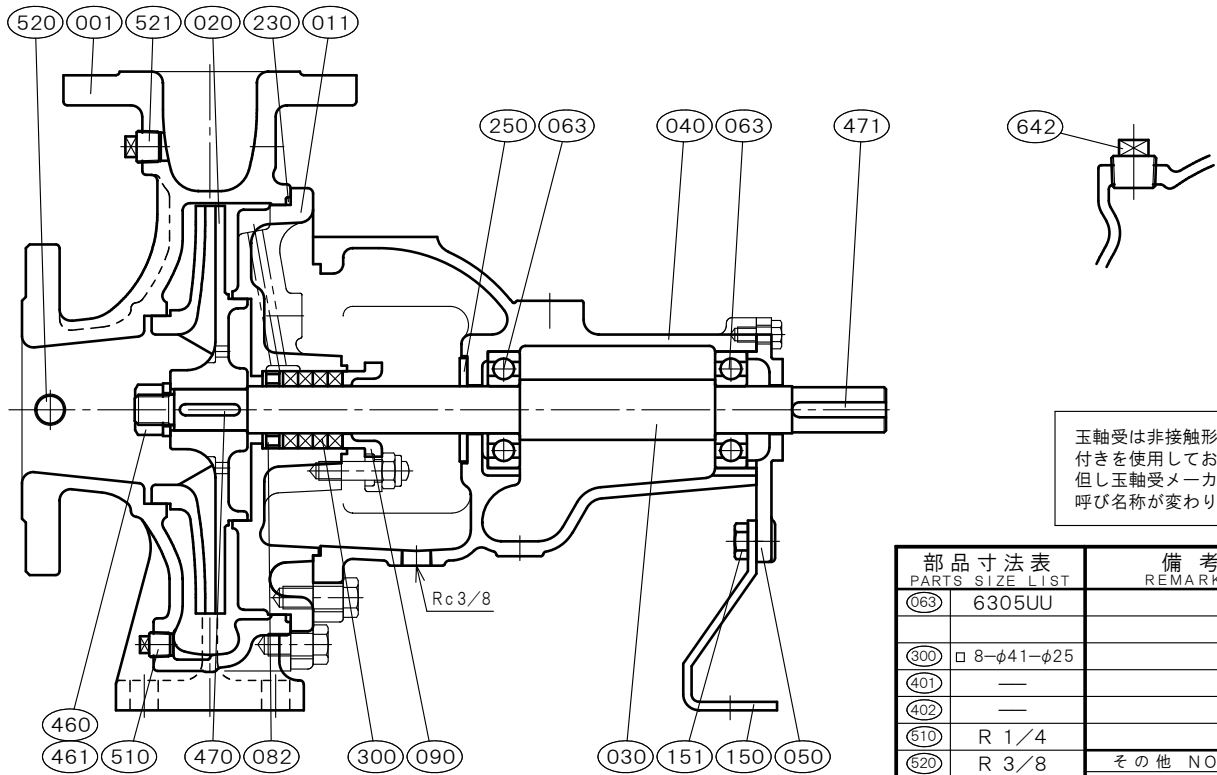


|                     |             |                                                             |                    |                 |                                 |             |  |
|---------------------|-------------|-------------------------------------------------------------|--------------------|-----------------|---------------------------------|-------------|--|
| φ65×φ50<br>□ZJS-65D |             | [グランドパッキン式]<br>構造断面図<br>CONSTRUCTION OF<br>CENTRIFUGAL PUMP |                    | 御注文主 CUSTOMER   |                                 | 殿           |  |
|                     |             |                                                             |                    | 用途 USED FOR     |                                 |             |  |
| 機番 ITEM NO.         | 製番 MFG. NO. | 吐出し量CAPACITY<br>m <sup>3</sup> /min                         | 全揚程TOTAL HEAD<br>m | 出力OUT PUT<br>kW | 同期速度 SPEED<br>min <sup>-1</sup> | 台数 QUANTITY |  |



| 部品寸法表<br>PARTS SIZE LIST |            | 備考<br>REMARKS |          |
|--------------------------|------------|---------------|----------|
| 063                      | 6305UU     |               |          |
| 300                      | □8-φ41-φ25 |               |          |
| 401                      | —          |               |          |
| 402                      | —          |               |          |
| 610                      | R 1/4      |               |          |
| 620                      | R 3/8      |               | その他 NOTE |
| 621                      | R 3/8      |               |          |
| 642                      | R 3/4      |               |          |

| NO. | 部品名<br>NAME OF PART | 材質<br>MATERIAL      |                   | 個数<br>QUAN. | NO.                        | 部品名<br>NAME OF PART | 材質<br>MATERIAL  |               | 個数<br>QUAN. |
|-----|---------------------|---------------------|-------------------|-------------|----------------------------|---------------------|-----------------|---------------|-------------|
|     |                     | SCS13               | SCS14             |             |                            |                     | SCS13           | SCS14         |             |
| 001 | ケーシング               | CASING              | SCS13 SCS14       | 1           | 642                        | 呼び水プラグ              | PRIMING PLUG    | SUS304 SUS316 | 1           |
| 011 | ケーシングカバー            | CASING COVER        | SCS13 SCS14       | 1           |                            |                     |                 |               |             |
| 020 | 羽根車                 | IMPELLER            | SCS13 SCS14       | 1           |                            |                     |                 |               |             |
| 030 | 主軸                  | SHAFT               | SUS304 SUS316     | 1           |                            |                     |                 |               |             |
| 040 | 軸受                  | METAL CASING        | FC200 FC200       | 1           |                            |                     |                 |               |             |
| 050 | 軸受カバー               | BEARING COVER       | FC200 FC200       | 1           |                            |                     |                 |               |             |
| 063 | 玉軸受                 | BALL BEARING        | SUJ2 SUJ2         | 2           |                            |                     |                 |               |             |
| 082 | 封水リング               | SEAL RING           | SUS304 SUS316     | 1           |                            |                     |                 |               |             |
| 090 | パッキン押さえ             | GLAND               | SCS14 SCS14       | 1           |                            |                     |                 |               |             |
| 150 | 軸受支え                | BEARING SUPPORT     | SS400 SS400       | 1           |                            |                     |                 |               |             |
| 151 | 軸受支えボルト             | BOLT                | SUS304 SUS304     | 2           |                            |                     |                 |               |             |
| 230 | カバーパッキン             | COVER PACKING       | FKM FKM           | 1           |                            |                     |                 |               |             |
| 250 | 水切りつば               | DEFLECTOR           | C R C R           | 1           |                            |                     |                 |               |             |
| 300 | グランドパッキン            | GLAND PACKING       | PTFE-CON PTFE-CON | 4           | 標準付属品 STANDARD ACCESSORIES |                     |                 |               |             |
| 460 | 羽根車ナット              | IMPELLER NUT        | SUS304 SUS316     | 1           | (600)                      | 共通ベッド               | COMMON BASE     | FC200 FC200   | 1           |
| 461 | 回り止め                | LOCK WASHER         | SUS304 SUS316L    | 1           | (610)                      | 軸継手                 | COUPLING        | FC200 FC200   | 1set        |
| 470 | 羽根車キー               | IMPELLER KEY        | SUS316 SUS316     | 1           | (620)                      | 軸継手ガード              | COUPLING GUARD  | SUS430orSS400 | 1           |
| 471 | 軸継手キー               | COUPLING KEY        | S 45C S 45C       | 1           | (650)                      | 基礎ボルト               | FOUNDATION BOLT | SS400 SS400   | 1set        |
| 510 | ドレン抜きプラグ            | DRAIN PLUG          | SUS304 SUS316     | 1           |                            |                     |                 |               |             |
| 520 | 真空計プラグ              | VACUUM GAUGE PLUG   | SUS304 SUS316     | 1           |                            |                     |                 |               |             |
| 521 | 圧力計プラグ              | PRESSURE GAUGE PLUG | SUS304 SUS316     | 1           |                            |                     |                 |               |             |

|                                              |         |         |                |
|----------------------------------------------|---------|---------|----------------|
| 西垣ポンプ製造株式会社<br>NISHIGAKI PUMP MFG. CO., LTD. | 日付 DATE | 作成 DRW. | 図番 DRAWING NO. |
|                                              | ' 25. 4 | R Y     | YB1-AH1402CS   |